

# AZCO Technologies Inc.

July 2012

Pro Audio / Visual – Page 2



CCTV – Page 21



IP / POE – Page 37

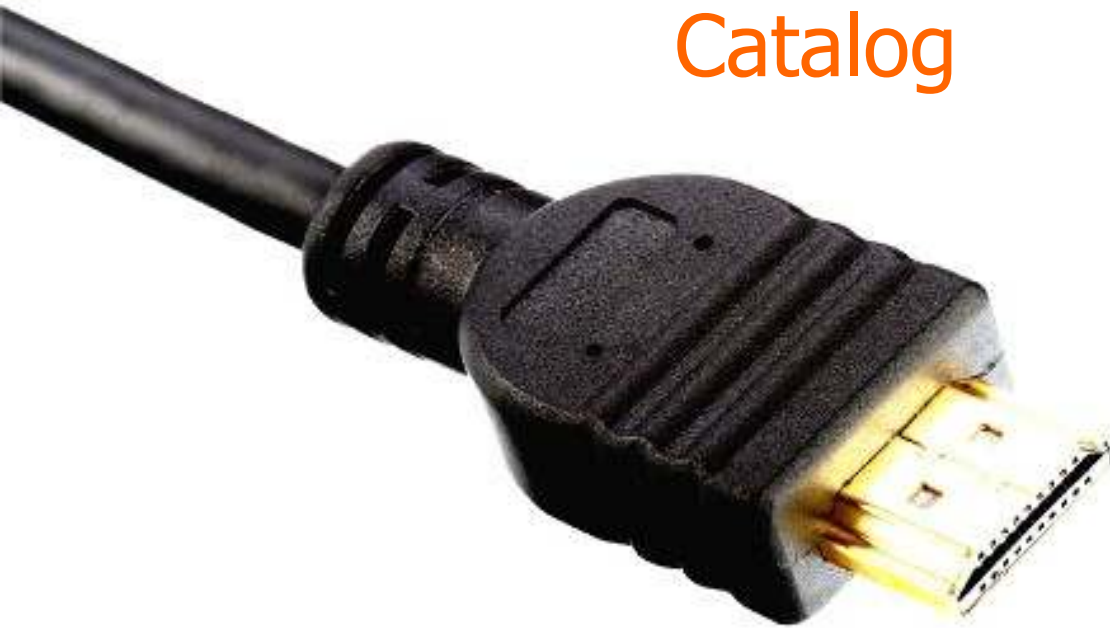


DataCom – Page 44



# AZCO Technologies Inc.

June 2012  
Pro Audio / Visual  
Catalog



[www.azcotechnologies.com](http://www.azcotechnologies.com)



Audio / Visual



**AZHDMIM0808SC** HDMI Switch-Splitter 8x8 / Extender

This 8X8 Matrix HDMI SWITCH SPLITTER by cat5e/6 offers unprecedented flexibility and convenience by routing high definition audio/video from any of Eight HDMI video sources to any of 8 remote displays over inexpensive, standard CAT5e/6 cable. It eliminates the need to disconnect and reconnect sources to a display equipped with one input.

Eight receivers work with the Switch Splitter as a full functional module. 328ft Full High-Resolution HDTV signals are supported up to a resolution of 1080p over 1 CAT5e/6 cable. The 4X4 Matrix HDMI SWITCH SPLITTER works with HD-DVD players, TiVo systems, HT PCs, and satellite set-top boxes that connect to an HDMI display. Every source and display is accessible at all times by selecting it with an IR remote. Sold as a Kit

- Full matrix switch 8x8 over HDBase-T,Any to Any
- 100m / 328ft over Cat6,with remote receiver before HDTV
- 70M / 230 ft extension for optional
- 19 inch rack or desk or wall mounting
- HDCP V1.2,3D support
- Super IR & RS232 control system,IR transport channel can be forward backward per your installation
- Full HD 1080p/120HZ
- Deep color 36/48bit
- Support x.v.Colour.
- DTS-HD/Dolby True-HD/LPCM7.1
- Small size,Fast Switching

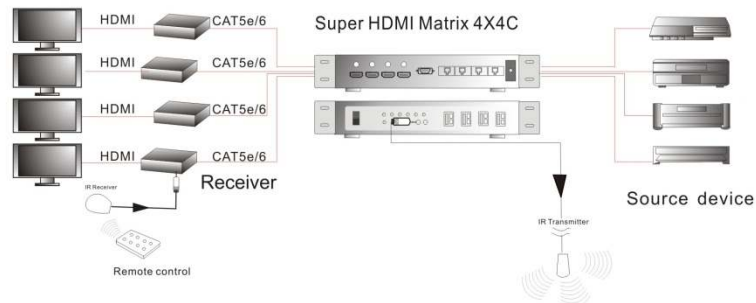
- HDMI version .....High speed with 3D
- HDCP version.....HDCP1.2
- Support HDMI resolution.....1080P/1080i/720P/576P/576i/480P/480i
- Support video color bit .....deep color 24bit/36b, it
- Support audio format..... ..LPCM/Dolby-AC3/DTS7.1/DSD
- Input Video signal ..... 5.0Volts P-P
- Output cable distance.....<=20m 24AWG Cable
- Input cable distance.....<=20m 24AWG Cable
- Data transfer speed.....6.75Gbps
- Operating Humidity range.....5 to 90%RH (No Condensation)
- Operating Temperature range.....-15 to +55° (5 to 131° F)
- Power adapter format.....Input AC(50Hz.60Hz) 100- 240V
- Power Supply.....DC 24V



[www.azcotechnologies.com](http://www.azcotechnologies.com)



# Audio / Visual



## AZHDMIM0404SC

### HDMI Switch-Splitter 4x4 / Extender

This 4X4 Matrix HDMI SWITCH SPLITTER by cat5e/6 offers unprecedented flexibility and convenience by routing high definition audio/video from any of 4 remote displays over inexpensive, standard CAT5e/6 cable. It eliminates the need to disconnect and reconnect sources to a display equipped with one input.

Four receivers work with the Switch Splitter as a full functional module. 328ft Full High-Resolution HDTV signals are supported up to a resolution of 1080p over 1 CAT5e/6 cable. The 4X4 Matrix HDMI SWITCH SPLITTER works with HD-DVD players, TiVo systems, HT PCs, and satellite set-top boxes that connect to an HDMI display. Every source and display is accessible at all times by selecting it with an IR remote. Sold as a Kit

- Full matrix switch 4x4 over HDBase-T, Any to Any
- 100m / 328ft Extension over Cat6, with remote receiver before HDTV
- 19 inch rack or desk or wall mounting
- HDCP v1.2, 3D support
- Super IR & RS232 control system, IR transport channel can be forward or backward per your installation
- Full HD1080P/120HZ
- Deep color 36/48bit
- DTS-HD/Dolby True-H
- Size:440 x 200 x 50mm

- HDMI version .....High speed with 3D
- HDCP version.....HDCP1.2
- Support HDMI resolution.....1080P/1080i/720P/576P/576i/480P/480i
- Support video color bit .....deep color 24bit/36bit
- Support audio format.....LPCM/Dolby-AC3/DTS7.1/DSD
- Input Video signal ..... 5.0Volts P-P
- Output cable distance.....<=20m 24AWG Cable
- Input cable distance.....<=20m 24AWG Cable
- Data transfer speed.....6.75Gbps
- Operating Humidity range.....5 to 90%RH (No Condensation)
- Operating Temperature range.....-15 to +55°C (5 to 131° F)
- Power adapter format.....Input AC(50Hz.60Hz) 100- 240V
- Power Supply.....DC 12V



[www.azcotechnologies.com](http://www.azcotechnologies.com)



### AZHDMIM0404E

HDMI Matrix/ Extender over Cat5e  
This unit comes with Matrix unit, 4 receivers, remotes, IR's and power supplies.



HDMI Switch-Splitter 4x4 / Extender

This 4X4 Matrix HDMI SWITCH SPLITTER by cat5e/6 offers unprecedented flexibility and convenience by routing high definition audio/video from any of four HDMI video sources to any of 4 displays over HDMI cable or 4 remote displays over inexpensive, standard CAT5e/6 cable. It eliminates the need to disconnect and reconnect sources to a display equipped with one input.

Four receivers work with the Switch Splitter as a full functional module. 50ft Full High-Resolution HDTV signals are supported up to a resolution of 1080p over HDMI cable or at a maximum distance of 125ft over two pieces of CAT5e/6 cable. The 4X4 Matrix HDMI SWITCH SPLITTER works with HD-DVD players, TiVo systems, HT PCs, and satellite set-top boxes that connect to an HDMI display. Every source and display is accessible at all times by selecting it with an IR remote. Sold as a Kit



### HDMI-XXXX HDMI Cables



Part #	Description	Length
HDMI14-01	HDMI 1.4v w/ Ethernet, CL3, 1#, 30AWG, OD=6.0MM, Gold plated	1 ft
HDMI14-03	HDMI 1.4v w/ Ethernet, CL3, 1#, 30AWG, OD=6.0MM, Gold plated	3 ft
HDMI14-06	HDMI 1.4v w/ Ethernet, CL3, 1#, 30AWG, OD=6.0MM, Gold plated	6 ft
HDMI14-10	HDMI 1.4v w/ Ethernet, CL3, 1#, 30AWG, OD=6.0MM, Gold plated	10 ft
HDMI14-12	HDMI 1.4v w/ Ethernet, CL3, 1#, 30AWG, OD=6.0MM, Gold plated	12 ft
HDMI14-15	HDMI 1.4v w/ Ethernet, CL3, 1#, 30AWG, OD=6.0MM, Gold plated	15 ft
HDMI14-20	HDMI 1.4v w/ Ethernet, CL3, 1#, 28AWG, OD=7.3MM, Gold plated	20 ft
HDMI14-25	HDMI 1.4v w/ Ethernet, CL3, 1#, 28AWG, OD=7.3MM, Gold plated	25ft



Add "C" at end of part # for Canada (Changes from CL3 to CMR rating)



### **AZHDMI-IR**

HDMI IR Kit offers you a simple, discrete way to remotely control a cable/satellite receiver, blu-ray player, DVD player, or other home theater source component that may be in another room or cabinet - using a Azco HDMI cable, sold separately. This Hidden IR Control System is made up of three components.

HDMI Adapter with IR (2 included)

IR Transmitter / Sender / Emitter Pigtail with 1.5 Meter Cable (1 included)

IR Receiver Pigtail with 1.5 Meter Cable (1 included)

Each component features Azco's Super HDMI IR Control capability allowing them to communicate with each other. The patented HDMI IR Adapter allows the IR control channel to extend to a display, since this adapter is inserted between the display and the HDMI cable connecting to the display.

The Super HDMI IR Control System is 1080p Full HD 3D Ready and will also work with sources, displays and other electronics connected via high speed HDMI cables. In a typical application, you will install an HDMI Adapter on each end of an HDMI cable connecting the source component and the display (HDTV, projector, monitor, etc.). The IR Transmitter is connected to the adapter located at the source component location while the IR Receiver is connected to the adapter at the display location. Then set the toggle switch on each adapter to 'IR', this allows IR commands to travel between the display and the source over the HDMI cable. This path can also be reversed to allow IR commands to travel between the source and the display, by reversing the transmitter and receiver positions on the HDMI cable. Thus upstream or downstream IR communications are possible.



### AZHDMIS14

HDMI Splitter. It distributes the input of the HDMI signal into the four identical outputs simultaneously. It supports full 3D format and 4Kx2K. Its video amplifier bandwidth can be up to 3.4 Gbs/340MHz. The HDMI Splitter offers solutions for HDTV retail and show site, HDTV, STB, DVD and Projector factory, noise space and security concerns, data center control, information distribution, conference room presentation, school and corporate training environments.



### AZHDMIS18

HDMI Splitter. It distributes the input of the HDMI signal into the eight identical outputs simultaneously. It supports full 3D format and 4Kx2K. Its video amplifier bandwidth can be up to 3.4 Gbs/340MHz. The HDMI Splitter offers solutions for HDTV retail and show site, HDTV, STB, DVD and Projector factory, noise space and security concerns, data center control, information distribution, conference room presentation, school and corporate training environments.



### AZHDMIS13

HDMI Switcher. It can easily switches three sources to one display. It not only has the key-press-switching function, but also has intelligent function. With one fixed HDMI cable (pigtail) this converter not only reduces cost but also save time for consumers.

Routes high definition video (in multiple resolutions up to 1080p) and digital audio from any one of the three sources to display units.



### AZHDMI101

HDMI F/F adapter, gold plated.



### AZHDMI102

HDMI M/F 90 degrees adapter, gold plated



### AZHDMI103

HDMI M/F 90 degrees adapter, gold plated





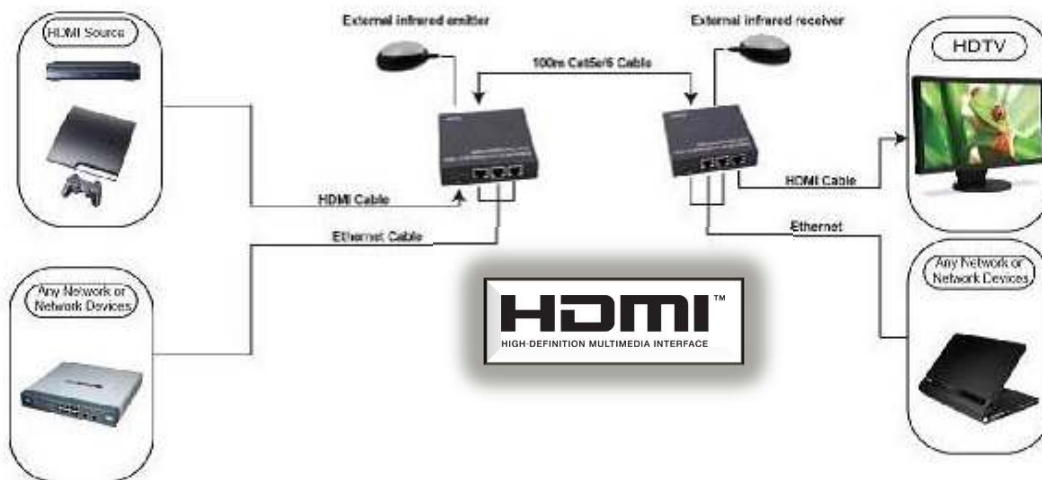


HDbas@T™



### AZHDMIE100

The Extender is based on the HDBaseT technology. It extends your HD display with the resolutions of 1080p/60Hz up to 330 feet (100 meters) away from your HDMI or DVI-D source using one CAT5e/6 cable. It also extends Ethernet and provides an IR back channel to control AV sources using the same CAT5e/6 cable. The three Ethernet ports on both the Sender and Receiver are connected to standard network devices such as 100Base-T routers and hubs. Built-in IR extender function allows IR remote control of Source devices from remote viewing location by sending IR commands received in the vicinity of the Display back to the Source devices.



- Supports HDCP
- Supports uncompressed HDMI signal.
- Enables HDMI10.2 Gbps and 100Mbps Ethernet in parallel over a single 100m Cat5e/6 cable.
- Supports 340MHz/3.4Gbps per channel (10.2Gbps all channel) bandwidth.
- Supports 1080p@60Hz@48bit pixels
- Supports 3D pass-through.
- Supports CEC pass-through.
- Supports uncompressed audio such as LPCM.
- Supports compressed audio such as DTS Digital, Dolby Digital (including DTS-HD and Dolby True HD)
- There are 3 standard Ethernet ports with switching capabilities on each unit. There is no difference - between the 3 and any type of connection topology is permitted.
- Built-in IR extender function allows IR remote control of Source devices from remote viewing location by sending IR commands received in the vicinity of the Display back to the Source devices.
- CAT5e/6 cable follows the standard of IEEE-568B.



HDbas@T™



### AZHDMI60

The HDMI over single CAT5e/6 with IR & RS-232 transmitter and receiver set can transmit uncompressed video and audio up to 60 meters ( 195 ft ) with the added benefit of controls through the built-in RS-232 and IR ports. Audio supports LPCM 7.1CH, Dolby TrueHD, Dolby digital Plus and DTS-HD Master Audio.

Sold in Pair



HDMI with 3D, 4K×2K support, HDCP and DVI compliant

Complies with the HDBaseT-Lite class

Enables HDMI including HDCP over a single CAT5e/6 up to 60 meters (195 ft )

Full HD support: 1080p@60Hz@36-bit

3D over 60m and 4K×2K over 40m with Cat5e/6 cable

Multiple control interfaces such as RS-232 with baud rate up to 115200/sec and IR

Supports HDCP repeater and CEC bypass

## Passive PigTail HDMI Extender

### AZHDMI30A

HDMI Extender by CAT-5e/6 uses two pieces of CAT-5e/6 cables to extend the HDTV display up to 30 meters for 1080p. It not only breaks the limitation of the HDMI cable transmission length, but also CAT-5e/6 has more flexibility and convenience in cable. Sold in Pair



- One pair as a full functional module, no need of setting.
- CAT-5e/6 cable can substitute HDMI cable to achieve long distance transmission.
- Follow the standard of IEEE-568B.
- Transmission distance can be up to 30 meters for 1080p using CAT-6 Cable.
- Compact size.
- Signaling rates up to 1.65Gbps in support of 1080P display.
- HDCP compliant.

## COAX HDMI Extender

### AZHDMICOAX

HDMI over Coax Extender Set is a HDMI extender using a single coaxial cable as transmission media. This enables easy HDMI installation over a long distance. Full High-Resolution HDTV signals are supported up to a resolution of 1080P at a maximum distance of 120 meter ( 400 ft ). Installer will also have the ability to customize the length by using this extender set. The system will auto adjust feedback, equalization and amplifier, the user does not need to care about the length of the cable.

Sold in Pair



- Extends high definition HDMI compliant devices up to 120 meters ( 400 ft ).
- Supports resolution up to 1080P.
- Works with HDMI 1.3c and HDCP compliant devices.
- Consumer Electronics Control (CEC).
- Supports xvYCC function.
- Extends range of HDMI by equalizing signals.
- Easy to install and simple to use



### AZHDMI4X

HDMI Distribution / Extender over Cat5e  
This unit comes with Distribution unit, 4 receivers and power supplies



This HDMI Splitter is an HDMI splitter with four RJ45 outputs. It distributes the input of the HDMI signal into the four identical outputs simultaneously. Four HDMI Extender Receivers by Cat5 x1 receive the distributed signal from the splitter and transmit to displays individually.

Each receiver works with the splitter as a full functional module. Only by the most inexpensive UTP cable with cross stand inside the full functional module extend the HDTV display up to 165ft for 1080p.

This HDMI Splitter offers solutions for HDTV retail and show site, HDTV, STB, DVD and Projector factory, noise, space and security concerns, data center control, information distribution, conference room presentation, school and corporate training environments.

1Easy to Use: Install in seconds, no need of setting.

One pair as a full functional module,

One piece of CAT-5e/6 cable can substitute HDMI cable to achieve long distance transmission.

Follows the standard of IEEE-568B.

Transmission distance can be up to 50 meters for 1080p using CAT-5e / CAT-6 Cable.

Supports HDMI1.2a.

Supports highest video resolution 1080p.

Supports 165MHz/1.65Gbps per channel (4.95Gbps all channel) bandwidth.

Supports 8bit per channel (24bit all channel) deep color.

Supports uncompressed audio such as LPCM

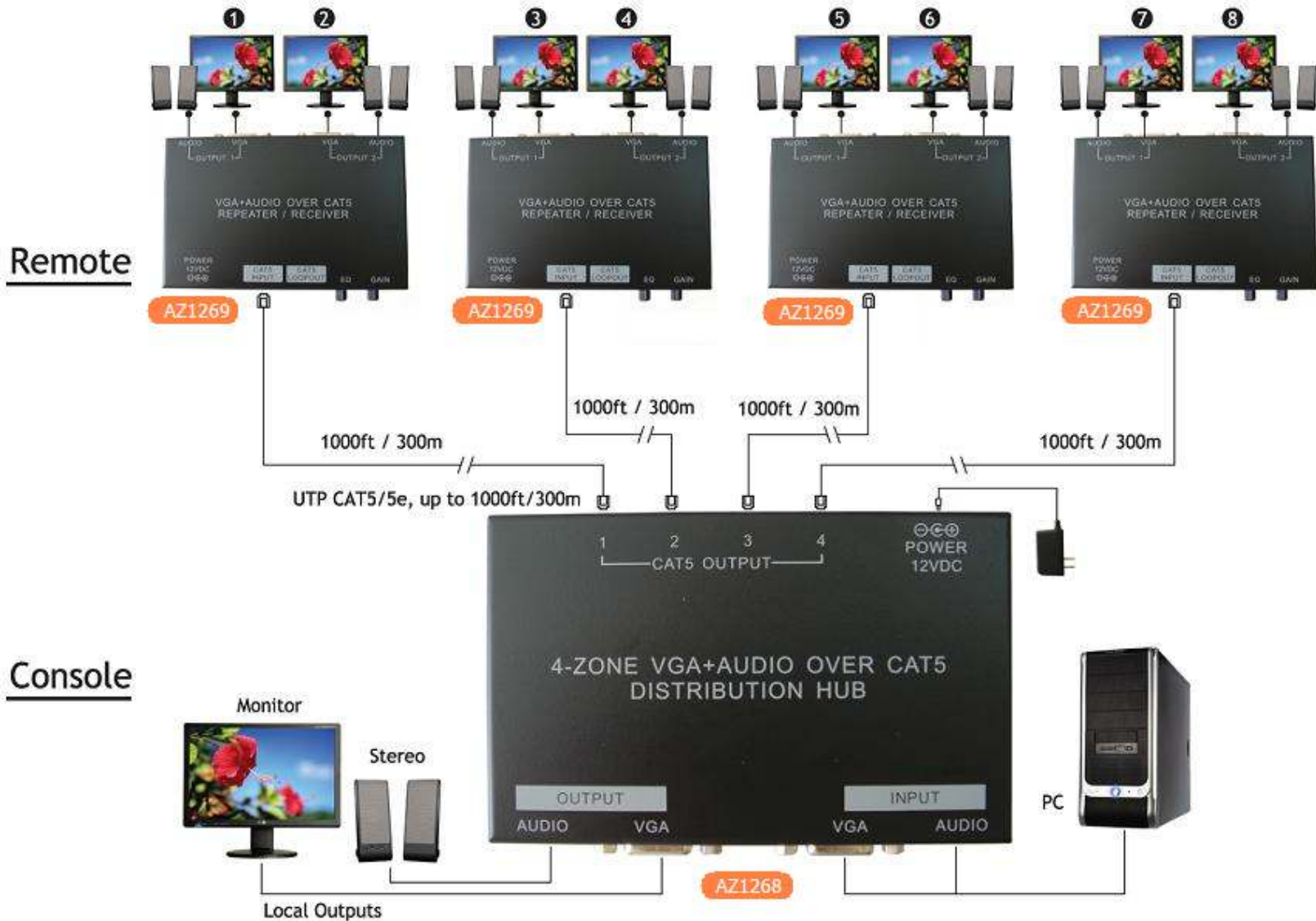
Sold as a Kit

### AZBLUETOOTH

This is a portable Bluetooth Audio Receiver that enables you to wirelessly control and listen to all your favorite music from your mobile device via Bluetooth. The AZBLUETOOTH is connected to your home stereo system with a cable, and then pairs your device to the Bluetooth receiver. You'll not only enjoy superior quality music on your stereo but also the convenience of a wireless connection. The rechargeable battery is charged with a Micro USB to USB cable to connect to optional power Adapter or computer for recharging. It is ideal for your mobile phones, portable devices, or personal computers.



- Features:
- Convenient and portable: Enjoy the convenience of portability anywhere you go
  - Stream directly to an existing stereo, computer or a friend's home and entertainment center
  - Control and listen to your favorite music wirelessly using this product through your home-theater receiver or powered speakers using an audio cable
  - Support Bluetooth signal output
  - Compatible with supported Bluetooth device
  - Stream wirelessly to control and listen to your music from up to 10m away
  - This Bluetooth Receiver itself contains battery which can play music 10 hours
  - Compatible with Bluetooth-enabled personal computers
  - Connects to compatible AV products and supports A2DP audio streaming



### AZ1270

#### VGA + Audio Over CAT5 Transmitter & Receiver with Chainable Function

Support VGA & Audio CAT5 Repeater +Receiver.  
 VGA video & audio signal transmission via single UTP cable (CAT5 / CAT5e).  
 4 ports RJ45 outputs for transmission.  
 With local VGA & audio outputs  
 Power supply included.

Distance via CAT5 Cable:  
 640\*480 pixels (VGA)—1000ft  
 800\*600 pixels (SVGA)—675ft  
 1024\*768 pixels (XGA)—600ft  
 1600\*1200 pixels (UXGA)—330ft



### AZ1269

#### VGA + Audio Over CAT5 Receiver with Chainable Function

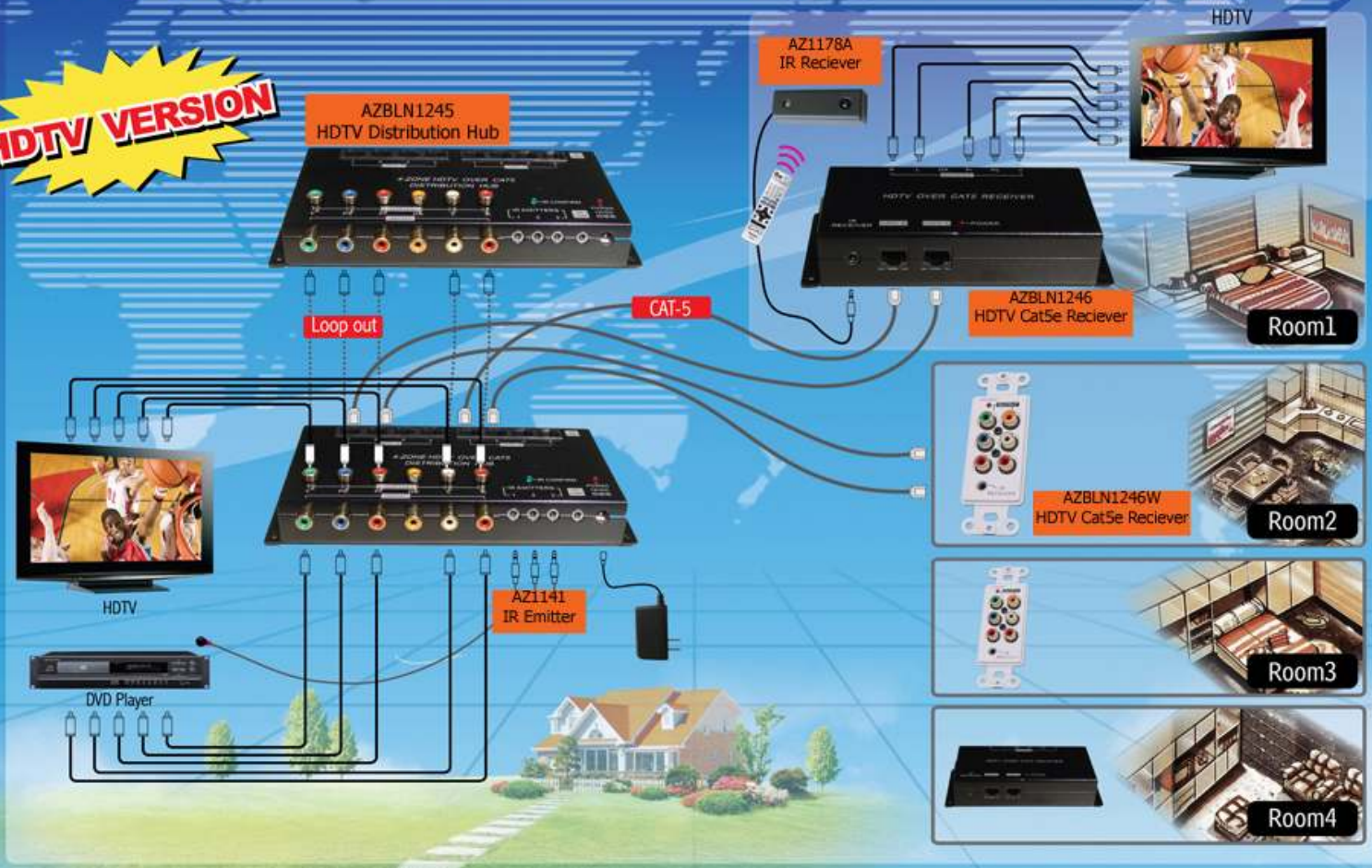
Support VGA&Audio CAT5 Repeater +Receiver.  
 Support 2X VGA+Audio Distribution Amplifier.  
 EQ (Sharpness) and GAIN (Brightness) control are Adjustable.  
 VGA & Audio signal transmission via single UTP cable (CAT5 / CAT5e).  
 Provides Chainable Function up to 3 Units.  
 Power supply included.





# AUDIO/VIDEO MULTI-ROOM SOLUTION

**HDTV VERSION**



## AZBLN1247DW

4 Zones HDTV over Cat5e Hub Kit .  
 Designed to be used in HDTV audio/video with IR control for multi-room applications.  
 12V power supply, Delivery Distance: Audio :400ft, Video : 400ft @1080i , Loop-out function



## AZBLN1246W

HDTV over Cat5e Receiver. Designed to be surface mount in in-wall HDTV audio/ video with IR control for multi-room applications.  
 Used with AZBLN1247DW





### AZBLN1250W

In-Wall Integrated A/V CAT5  
Extender with plates  
Audio :300 Meters  
Composite Video: 1000 ft  
Component Video :  
480p: 330 ft  
720p: 250 ft  
1080i: 165 ft



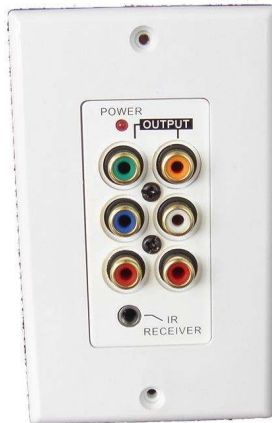
### AZBLN1169W

RGB Video / Digital Audio Wall Plate Insert with Plates  
Over Cat 5e RJ45  
480p: 330 ft  
720p: 250 ft  
1080i: 165 ft  
Digital Audio : 325 ft



### AZBLN1246W

HDTV over Cat5e Receiver.  
Designed to be surface  
mount in in-wall HDTV  
audio/ video with IR control  
for multi-room applications.  
Used with AZBLN1247DW



### AZ1272

Brush Wall Plate



### AZ1184

#### 1x9 HDTV Distribution Amplifier with Loop-out

Can hook up to 81 stereo audio/component video devices by using its loop-out function.  
Terminals for input/ outputs: RCA jack  
Housing : Black metal  
Power Supply : 12VDC, 1.2A switching power



### AZBLN8820

RGB Video over Cat5e extender  
RCA in/out  
RJ45 in/out  
Max distance 500ft



### AZBLN8801

Audio over Cat5e extender  
RCA in/out  
RJ45 in/out  
Max distance 300ft



### AZBLN8830

Audio & Video over Cat5e extender  
RCA in/out  
RJ45 in/out  
Max distance 500ft



### AZBLN8830-IR

Audio & Video / IR over Cat5e extender  
RCA in/out & IR  
RJ45 in/out  
Max distance 500ft



### AZBLN8860

VGA / PS2 over 2 x Cat5e Extender Set  
For use with Monitor, Mouse & Keyboard  
Max. distance 150ft



### AZBLN8870

VGA / 3.5mm Audio Extender Set  
For use with Monitor and Audio  
Over Cat5e  
Max. distance 150ft





### AZIPAD-XX

In-Wall Dock Station

- WH White
- BK Black
- PR Primed
- BF Brushed



### AZIPADTP-XX

TamperProof In-Wall Dock Station

- WH White
- BK Black
- PR Primed
- BF Brushed



iPad/iPad2/New iPad In-wall iDocx Brushed Finish

### AZIPADWR

IPAD In Wall Water Resistant – Brushed Finish

### AZIPADPB

IPAD Pre-Construction Box

### AZIPADPOE2

2ND GEN POE CONVERTOR  
CHARGES UP TO 330FT.



### AZIPADPOE1

PDE KIT  
CHARGES UP TO 330FT.



### AZIPADPOE3

POWER EXTENDER KIT  
CHARGES UP TO 30FT.





**AZITOUCHPB**

ITOUCH Pre-Construction Box

**AZITOUCH-XX**

In-Wall Dock Station

- WH White
- BK Black
- PR Primed
- BF Brushed

**AZITOUCHTP-XX**

TamperProof In-Wall Dock Station

- WH White
- BK Black
- PR Primed
- BF Brushed

**AZIPADPOE2**

2ND GEN POE CONVERTOR  
CHARGES UP TO 330FT.



**AZIPADPOE1**

PDE KIT  
CHARGES UP TO 330FT.



**AZIPADPOE3**

POWER EXTENDER KIT  
CHARGES UP TO 30FT.



# AZCO Technologies Inc.

## June 2012 CCTV Catalog



Powered by  
**PIXIM**  
SEAWOLF



[www.azcotechnologies.com](http://www.azcotechnologies.com)

### AZCAM001 Mini Pinhole Camera



#### AZCAM001

Color camera w/microphone  
All purpose spy camera  
Small compact design  
Can be hidden anywhere

Image sensor: 1/3" color CMOS  
TV System: NTSC/PAL  
Definition: 380 TV Lines  
Scan Frequency: NTSC: 60Hz, PAL: 50Hz  
Minimum Illumination: 2 LUX  
Effective pixels: NTSC: 510x492, PAL: 628\*582  
Video output level: 1.0Vp-p, 75Ω  
S/N ratio: 40dB  
White balance: Auto  
Full Motion Real Time Color Video without delay  
Operating Voltage: 9V  
Operating current: 1A  
Cable length: 18CM  
Dimensions: 20\*20\*20MM

Recording laws differ from State to State. Always be informed and up to date with Audio recording laws in your State before installing and or using Audio Recording Devices. Recording Audio may require all-party consent. You may choose to only use the camera without audio depending on your State.

### AZCAM002 Mini Camera

Powered by  
**PIXIM**<sup>®</sup>  
SEAWOLF



### AZCAM002

Mini Camera w/ bracket

**690TVL PIXIM 1/3 Seawolf WDR Mini Camera**

**12V DC**

**3.7mm Pinhole Lens**

**OSD Menu**

**690 TVL**

**Mini illumination:0 Lux IP ON**

**Sens-UP:1-32 Times**

This WDR ensures brilliant image quality under any lighting environment. The image and color quality is excellent in low illumination environments. This camera series is an ultra WDR - wide dynamic range camera in the real sense using digital sampling which can't be paralleled by average wide dynamic range cameras using older generation CCD imagers. The application of 3D digital noise reduction technology ensures higher S/N, which efficiently reduces the digital storage and transmission data saving system cost.



**NEW**

### AZBLN217 POWER VIDEO BALUN



## AZBLN217

**Passive Video and Power Transceiver,**  
1CH, Voltage: 12V~50V (AC RMS/DC) 4.5A (AC  
RMS/DC). Power Input & Surge Protection LED Light,  
Video distance over 2250 ft, Power Distance  
dependent on input voltage and voltage drop. (PAIR)

Voltage Drop According to Cable Length (24AWG):

Transmission Distance	Transmission Voltage (12V DC, 0.5A)	Transmission Voltage (12V DC, 1A)	Transmission Voltage (12V DC, 1.5A)
50M / 160Ft	13.5V	15.5V	17.0V
100M / 320Ft	15.5V	18.5V	22.0V
150M / 500Ft	17.0V	22.0V	27.0V
200M / 650Ft	18.5V	25.5V	32.0V

**NEW**





### AZBLN210

1 Ch Passive Video Transmitter 1500FT  
Video Transmission via UTP CAT5 Cable  
10-20% wire costs saved  
Premium High Quality Coil  
Outstanding interference rejection and  
transient protection  
Male BNC allows connection directly to  
the camera or DVR  
No power required  
Sold in Pair

### AZBLN214

1 Ch Passive Video Transmitter  
1500FT one with Pigtail & one mini  
without.  
Video Transmission via UTP CAT5  
Cable  
10-20% wire costs saved  
Premium High Quality Coil  
Outstanding interference rejection  
and transient protection  
Male BNC allows connection directly  
to the camera or DVR  
No power required  
Sold in Pair



### AZBLN302UL

UL Listed  
1 Ch Passive Video Transmitter 1250FT  
Video Transmission via UTP CAT5 No  
power required  
Sold in Pair



### AZBLN217

**Passive Video and Power Transceiver**, 1CH, Voltage:  
12V~50V (AC RMS/DC) 4.5A (AC RMS/DC). Power Input  
& Surge Protection LED Light, Video distance over 2250  
ft, Power Distance dependent on input voltage and  
voltage drop. (PAIR)



### AZCORD

6ft Cord end



**NEW**

### AZUSB

USB 2.0 Extender over Cat5e  
No power required  
Sold in Pair



### AZBLN215

**Passive Video and Power Transceiver**, 1CH, Voltage: 12V~36V 1.5A surge protection. Power Input & Surge Protection INDICATED LED Lights, Video distance over 1000ft, Power Distance dependant on input voltage and voltage drop. (PAIR)



### AZBLN216

**Passive Video and Power and Control Signal Transceiver**, 1CH, Voltage: 12V~36V 1.5A surge protection. Power Input & Surge Protection INDICATED LED Lights, Video distance over 1000ft, Power Distance dependant on input voltage and voltage drop. (PAIR)



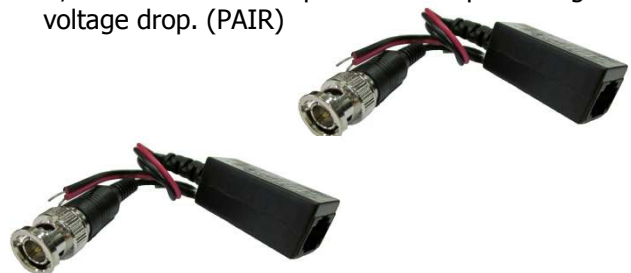
### AZBLN213A

1 channel Video/Power /Audio Transmits up to 500ft (A PAIR)  
Interference Rejection with Built-in Protection  
Lowers Cabling Costs.



### AZBLN217

**Passive Video and Power Transceiver**, 1CH, Voltage: 12V~50V (AC RMS/DC) 4.5A (AC RMS/DC). Power Input & Surge Protection LED Light, Video distance over 2250 ft, Power Distance dependent on input voltage and voltage drop. (PAIR)



### AZCC302

#### Camera Tail extension

Used to connect power to camera's without cutting the camera lead and voiding the camera warranty.

10 Pack



### AZCC301

#### Camera Power connection

Used to connect power to camera's without cutting the camera lead and voiding the camera warranty. 10 Pack



### AZBLN201



1 Ch Passive Video Transmitter 1000FT  
Video Transmission via UTP CAT5 Cable  
10-20% wire costs saved  
Full-Motion CCTV Video at distances up  
to 1000FT(300m)  
Outstanding interference rejection and  
transient protection  
Male BNC allows connection directly to  
the camera or DVR  
No power required  
Sold in Pair

### AZBLN202



1 Ch Passive Video Transmitter 1000FT  
with Pigtail  
Video Transmission via UTP CAT5 Cable  
10-20% wire costs saved  
Full-Motion CCTV Video at distances up to  
1000FT(300m)  
Outstanding interference rejection and  
transient protection  
Male BNC allows connection directly to the  
camera or DVR  
No power required  
Sold in Pair

### AZBLN203



1 Ch Passive Video Transmitter 1000FT  
Video Transmission via UTP CAT5 Cable  
10-20% wire costs saved  
Full-Motion CCTV Video at distances up  
to 1000FT(300m)  
Outstanding interference rejection and  
transient protection  
Male BNC allows connection directly to  
the camera or DVR  
No power required  
Sold in Pair

### AZBLN204



1 Ch Passive Video Transmitter 1000FT  
one with Pigtail & one mini without.  
Video Transmission via UTP CAT5 Cable  
10-20% wire costs saved  
Full-Motion CCTV Video at distances up to  
1000FT(300m)  
Outstanding interference rejection and  
transient protection  
Male BNC allows connection directly to the  
camera ( Mini Unit ) or DVR ( Pigtail Unit )  
No power required  
Sold in Pair

### AZBLN205



1 Ch Passive Video Transmitter 2000FT  
with Pigtail  
Video Transmission via UTP CAT5 Cable  
10-20% wire costs saved  
Full-Motion CCTV Video at distances up to  
2000FT(600m)  
Outstanding interference rejection and  
transient protection  
Male BNC allows connection directly to the  
camera or DVR  
No power required  
Tool-less installation  
Sold in Pair

### AZBLNGL

Ground Loop Isolator to solve electrical differences in the  
ground from two different areas (Commonly seen as a roll  
in the picture and or thick black bar.) Unit has built in  
TVS.



### AZBLNP1016

The 16 Channel Passive Transceiver Box. It converts 16 coax lines, BNC Jacks, to Screw Terminal Blocks. Cat5e, Video Only. Differential Capacitance: 62pf/m (maximum)



### AZBLN-101A/AT

The 1 Channel Active Transceiver Box. It converts 1 coax line, BNC Jacks, to Screw Terminal Block. Cat5e, Video Only. Transmission distance of up to 4000ft.



### AZBLNP108

The 8 Channel Passive Transceiver Box. It converts 8 coax lines, BNC Jacks, to Screw Terminal Blocks and or 2 RJ45 connections. Cat5e, Video Only. 1000 ft Passive Distance.



#### Technical Specifications:

Frequency response: DC-8MHz  
Impedance: BNC 75 Ohm - RJ45 100 Ohm  
CMRR (Common Mode Rejection Ratio): 60Db  
Working Temp.: -10°-70° Storage Temp.: -30°-70°

### AZBLNP108C

The 8 Channel Passive Transceiver Box with leads. It converts 8 coax lines, BNC Jacks, to Screw Terminal Blocks and or 2 RJ45 connections. Cat5e, Video Only. 1000 ft Passive Distance.



#### Technical Specifications:

Frequency response: DC-8MHz  
Impedance: BNC 75 Ohm - RJ45 100 Ohm  
CMRR (Common Mode Rejection Ratio): 60Db  
Working Temp.: -10°-70° Storage Temp.: -30°-70°

**NEW**

### AZBLNP104

The 4 Channel Passive Transceiver Box. It converts 4 coax lines, BNC Jacks, to Screw Terminal Blocks or 1 RJ45 connections. Cat5e, Video Only. 1000 ft Passive Distance.



#### Technical Specifications:

Frequency response: DC-8MHz  
Impedance: BNC 75 Ohm - RJ45 100 Ohm  
CMRR (Common Mode Rejection Ratio): 60Db  
Working Temp.: -10°-70° Storage Temp.: -30°-70°

### AZBLNP104C

The 8 Channel Passive Transceiver Box with leads. It converts 4 coax lines, BNC Jacks, to Screw Terminal Blocks and or 1 RJ45 connections. Cat5e, Video Only. 1000 ft Passive Distance.



#### Technical Specifications:

Frequency response: DC-8MHz  
Impedance: BNC 75 Ohm - RJ45 100 Ohm  
CMRR (Common Mode Rejection Ratio): 60Db  
Working Temp.: -10°-70° Storage Temp.: -30°-70°

### AZCC302

#### Camera Tail extension

Used to connect power to camera's without cutting the camera lead and voiding the camera warranty.

10 Pack



### AZCC301

#### Camera Power connection

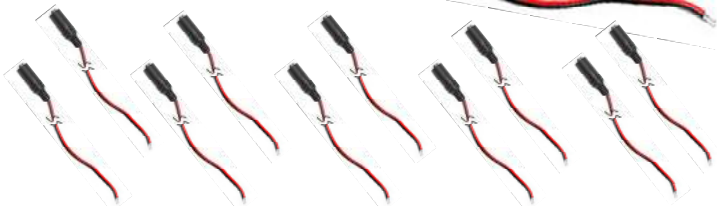
Used to connect power to camera's without cutting the camera lead and voiding the camera warranty. 10 Pack



### AZCC303

#### Power connection

Used to connect power to Camera Tail extension. 10 Pack



### AZCC304

#### Camera Power connection

Used to connect power to camera's without cutting the camera lead and voiding the camera warranty. 10 Pack



### AZACDC

These devices are great for long distance power, simply run the standard 24vAC power over the CAT5 cable and convert back to 12vDC at the end of the run. This solves problems with variable voltage on IR and mechanical cameras. The converter will take anywhere from 18vAC - 28vAC this allows for a much larger voltage drop and the ability to maintain your 12vDC power.

Input Voltage: 20-28vAC  
Output Voltage: 12vDC  $\pm$  2%  
Output Current : 1.5A  
1 port, 1.5A output current  
Output short circuit protect  
Overload protect



### AZPS08 – power supply 12v 1.5amp, North American Plug, cUL



### AZBLNHDSDI

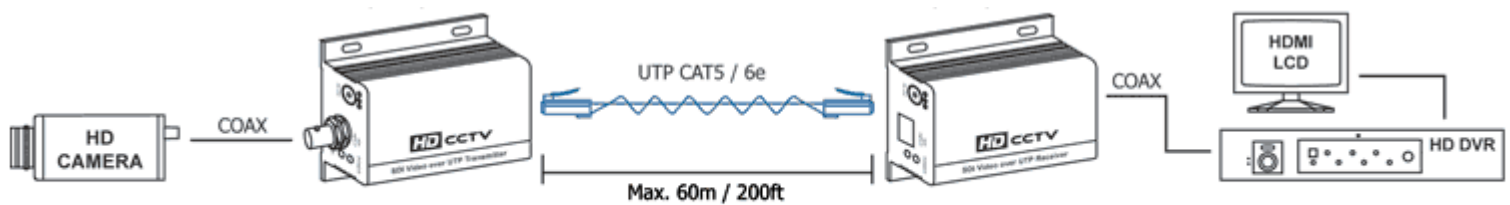
#### HD-SDI Extender over Cat5e

AZBLNHDSDI allows HD-SDI to be transmitted up to 200ft / 60m via Cat5e/6 cable in a point-to-point configuration. The SDI-UTP Extender supports transmission of up to 1.485 Gbps uncompressed, unencrypted digital video (optionally including embedded Audio and/or Time Code) within television facilities and between professional video equipment.

Video production, broadcasting, camcorder, studio-to-studio, post-production, live events, medical imaging displays, mobile video, HD/ SD routing, HD CCTV, medical imaging.

#### Key Features:

- Up to 165ft / 50m via Cat5e cable
- Up to 200ft / 60m via Cat6 cable
- Supports SDI-SMPTE 259M-C (270Mbps) HDSDI-SMPTE 292M (1.485, 1.485/1.001 Gbps)
- LED diagnostics: sync, SDI detect



\* The distance depends on the quality of the SDI signal from the HD camera source and also the CAT5/6e Cable & Connector



# AZCO Technologies Inc.

## Wireless

5.8GHz

### AZW5823

Transmitter  
16 Channel switchable PLL Synthesizer  
Video / Audio  
5.8 GHz ism band - 1000mw  
Omni-Directional Antenna Gain 2.15dBi  
Transmission Range 3600 ft (OpenSite)  
Used with AZW5820 / AZW5302



5.8GHz

### AZW5820

Receiver  
16 Channel PLL Synthesizer  
Video / Audio  
5.8 GHz ism band



5.8GHz

### AZW6922

5.8GHz 18dBi Panel Antenna  
Hardware  
Pole not included



5.8GHz

### AZW5302

4 Ch Simultaneous Multi-Receiver  
Can receive 4 Signals. Video Channels  
For Clean installation at DVR  
Omni-Directional Antenna Gain 5dBi  
5.8 GHz ism band



5.8GHz

### AZWNSMA

3ft Cable for Camera to Panel Antenna  
No Connector



5.8GHz

### AZW5229-3

Camera with Transmitter  
16 Channel PLL Synthesizer  
5.8 GHz ism band - 1000mw  
520 TVL, Auto Iris, 100ft IR  
12 mm Lens  
Omni-Directional Antenna Gain 5dBi  
Bracket  
Waterproof Solid Alum Housing  
Indoor/Outdoor Camera  
-20c to -70c  
Transmission Range 3600ft (OpenSite)  
Used with AZW5820 / AZW5302



5.8GHz

## Decals



**AZD-ALARM**  
Generic Alarm Decal  
Can be used outside  
Split back / Easy Peel  
4"x4" Footprint  
10 Pack



**AZD-CCTV**  
Generic CCTV Decal  
Can be used outside  
Split back / Easy Peel  
3.5"x4" Footprint  
10 Pack

**AZD-SIGN**  
Generic CCTV Sign  
Can be used outside  
Mount to walls or fences  
10.5"x10.5" Footprint



**PROTECT THESE PREMISES WITH  
A PROFESSIONALLY INSTALLED  
SECURITY SYSTEM**



**Call today for a FREE  
Security Evaluation**

**AZD-SELL**  
Generic Sales Sticker  
Rectangle Business Card Prospecting Decal with clear  
window on low tack vinyl  
4.5" x 4.25"  
Can be used outside  
10 Pack

**Every Dealer SalesPerson should carry these!**



**Finally a visible sign for  
Day and Night use!**



### AZCCTV

- LED – backlit with 24 LEDs
- Highly visible sign
- Deters shoplifting, break ins, and crime
- Can be suspended by 2 rings
- Can be surface mounted by 2 keyhole screw holes on the back
- Requires a DC 12 volt 0.15A power supply/wall adapter (Included)



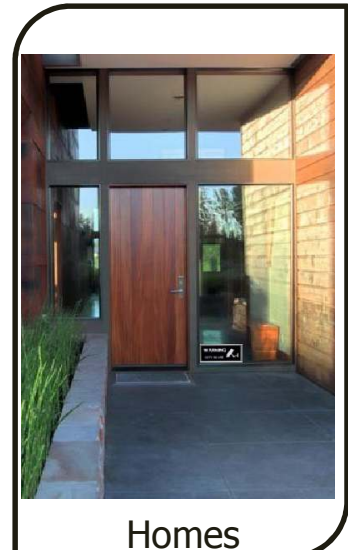
Business Window



Fitting Rooms



Indoors



Homes

**An Essential Tool for All Surveillance Camera Installers !**

### AZTEST

- Small lightweight LCD Screen for camera testing
- Allows you to work with your hands
- Allows you to easily see the camera angle/view
- Lightweight



### **AZ8806**

- Allows for easy visual inspections in hard-to-reach areas .
- Lightweight, handheld design for view, find, diagnose and solve problems with flexible extended tube and accessories.

See it!

Clearly in narrow spot, even in total dark or underwater.

Find it!

Fast, no more struggling with the mirror and flash light.

Solve it!

Easily, speed up the solution with extended accessories.



## Intuitious Home Energy Controller

## ECC-HS

### The NEW Alternative to Programmable Thermostats

The Intuitious Home Energy Controller (ECC-HS) is an advanced energy saving device that will substantially reduce heating and air conditioning fuel consumption, thus reducing energy costs and prolonging the life of the heating and air conditioning equipment in the home. Unlike programmable thermostats that must be programmed in advance and adjusted around the household schedule, the Intuitious Home Energy Controller connects to the security panel to determine whether the residents are home, away or sleeping. This automated method for determining occupancy seizes every opportunity to save energy, whether a vacancy is planned or not.

The Intuitious Home Energy Controller is the perfect solution for busy families with unpredictable occupancy and for anyone who is tired of programming their schedule into a thermostat. The Intuitious controller is connected to the security system so that it knows when the residents are home. The controller is also connected to the furnace and air conditioner so that it can override the thermostat and save energy during vacancies and at night when the residents are sleeping. The controller has an on-board computer that uses advanced logic, timers and a temperature sensor to optimize energy saving opportunities without adversely affecting comfort.



## Applications

The Intuitious ECC-HS Home Energy Controller interfaces between the home security panel and the home HVAC system to override the thermostat.

### HVAC System Compatibility

The controller is compatible with single stage gas, oil or electric furnaces and air conditioners with 24Vac control systems. The ECC-HS is not compatible with Heat Pumps or line voltage control systems.

### Security System Compatibility

The Intuitious controller is compatible with 12Vdc security panels that provide auxiliary power and one or two switched negative 12V programmable outputs (PGM's).

Intuitious also manufactures wireless energy conservation products. The "Wireless" family of products are best suited for retrofit installation in multi-unit residential properties, hotels and any application where running control wires from the sensors to the controller would prove challenging.

### Other Products in the Intuitious Wired Family

ECSC-OLTC	HVAC & Lighting Controller
ECSC-OC	Lighting Controller
ECS-O	Remote Occupancy Sensor
ECA-RT	Relay Transformer
ECA-IKEY	Installer Key

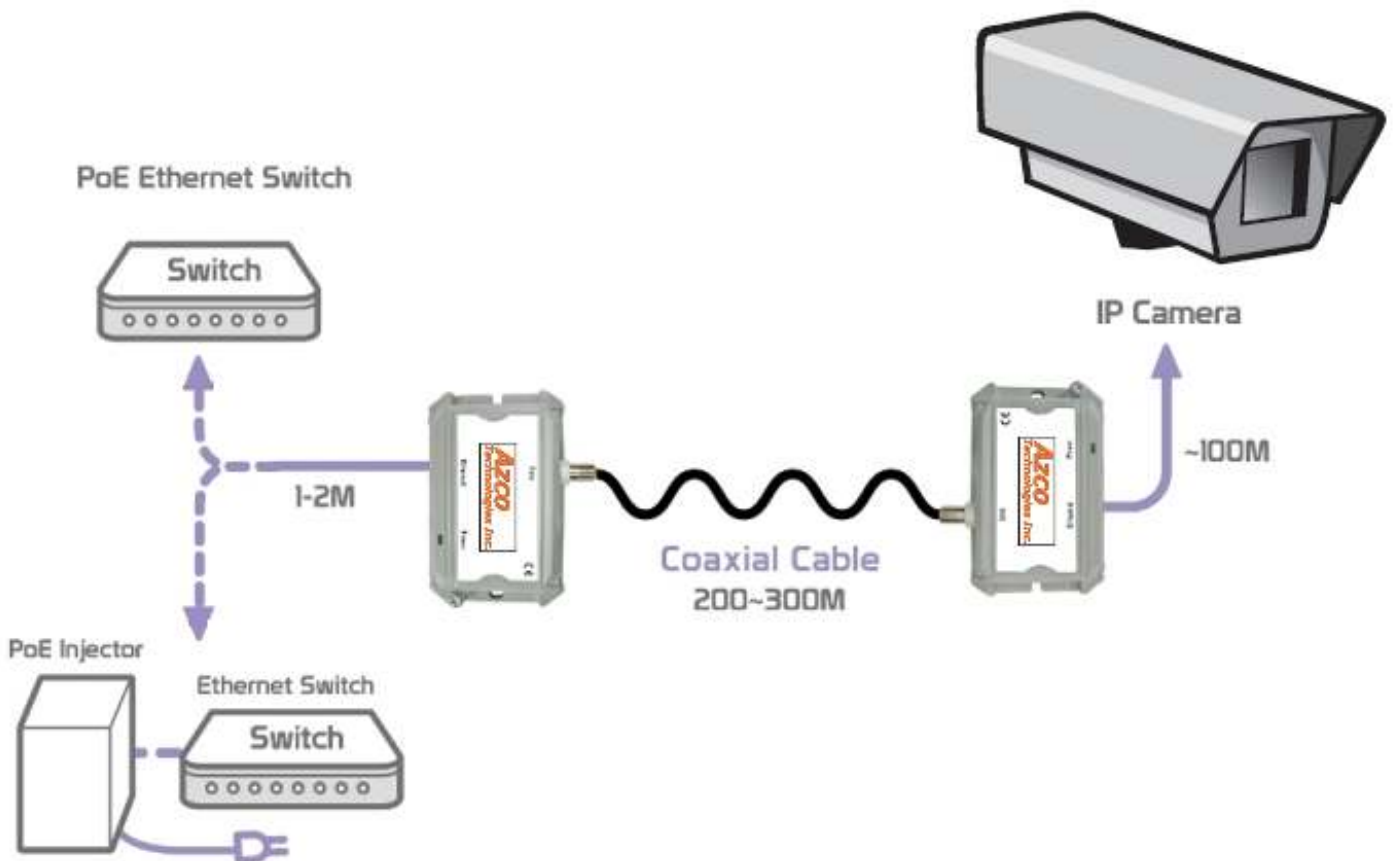
## Specifications

Patent Pending

Operating Voltage	10 - 15Vdc
Supply Current	42mA @ 12Vdc
Microprocessor speed	1Mhz
Onboard memory	8KB Flash (non-volatile)
Relays	(2) - Heating, Cooling
Relay contacts	2A @ 30Vdc, SPST-NO Form A
Programmed logic 1	Occupancy/Temp heating setback
Programmed logic 2	Occupancy/Temp cooling setback
Programmed logic 3	Daytime setback (opt. 6-8 hr timer)
Programmed logic 4	Night setback (opt. 6-8 hr timer)
Programmed logic 5	Long term setback (18 hrs)
Programmed logic 6	Restart delays (3 min. heat/cool)
Temperature sensing	Thermistor +/- 2F
Security inputs	(2) Standard PGM negative trigger
Mounting location	HVAC return air duct
Operating temperature	-20C ~ 50C (4F ~ 122F)
Dimensions	3.5"x4.1"x0.8" (89x105x21mm)

# AZCO Technologies Inc.

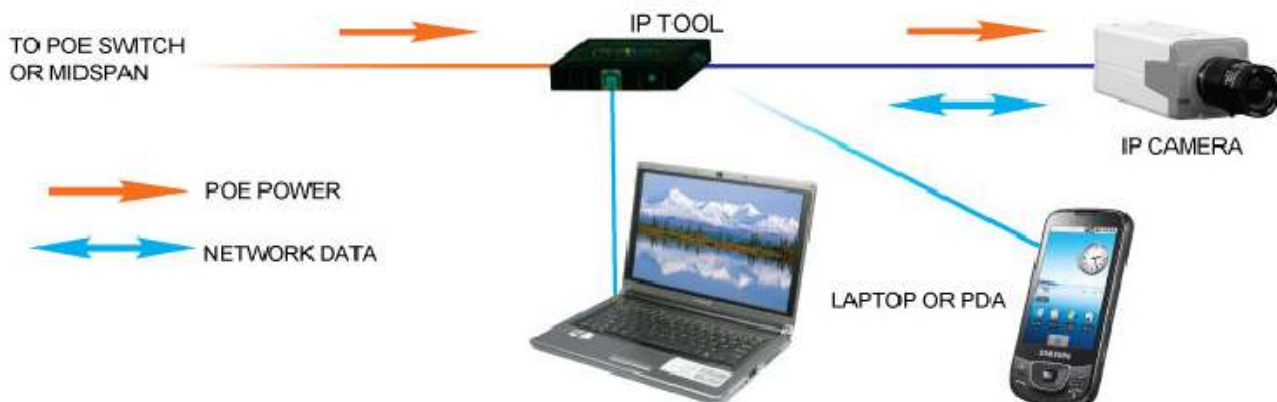
June 2012  
IP Products



[www.azcotechnologies.com](http://www.azcotechnologies.com)

### AZIPTOOL

This tool helps installers easily set-up and focus PoE-enabled network cameras. Installers can make instant focus adjustments by viewing the network camera output via a laptop or PDA when they are next to the camera location. It eliminates the need for an additional tech to view the IP camera output remotely, relaying focusing and pointing instructions (typically via a mobile device), to the camera installer set-up. Unlike analogue cameras, which can be set up using the AZTEST, IP cameras require decoding and decompression of the digital video stream for display. The AZIPTOOL allows POE to be passed through to the camera, while allowing a local laptop or PDA to be networked directly to the camera. This saves time and cost as the technician takes total control of the set-up through viewing live images from the camera as it is being installed.



### AZPOE1000M

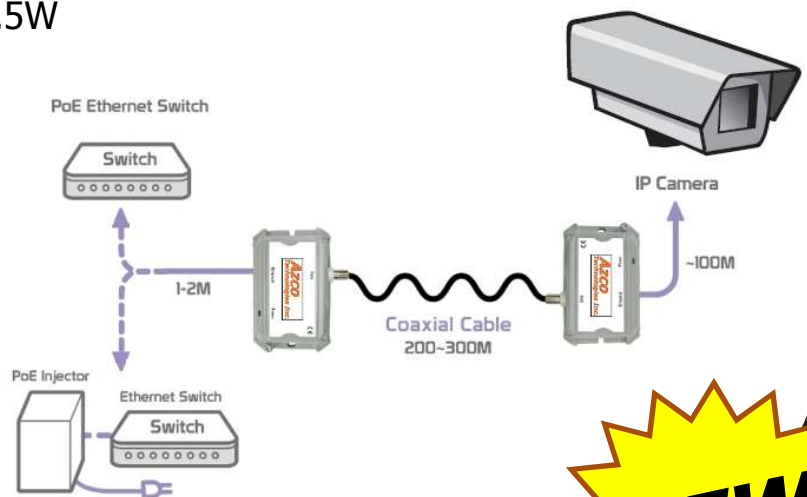
POE/LAN Repeater Extender of both power and data to beyond 325ft. Send Power Over Ethernet to remote sites .Passive, no power need. Compatible with universal IEEE 802.3af POE standard. This Mid Span repeater will allow up to 500 ft on either side allowing for 1000 ft total distance.



### AZIPPOE300

**IP / POE - Power over Ethernet Extender** is a "PoE extender over coax" solution. By using novel RF technology, it can extend the transmission distance of power and 100Mbps Ethernet data over 200-305m (650~1000ft) of RG6/RG59 video-grade coax cable & 100m / 328ft Cat5e/Cat6 in receiver side.

Standard: IEEE 802.3af  
 Speed: 10/100 Mbps, full duplexer  
 Cable: RG6 video-grade coaxial cable or above  
 Transmission distance: 200~305m(650~1000ft) coaxial cable + 100m UTP in RX side  
 Power Consumption: TX <=1W , RX<=2.5W  
 Class 3 powered device available  
 Output/Input Interface: BNC connector  
 Fast and easy to install



### AZIP01

A low cost and easy, speedy solution to allow you use existing coax cable to send IP camera signal.

Sold in pairs to be used with your RG59 cable to exceed the IEEE 802.3 10BaseT NEXT specification.

Working range up to 500ft at 1Mbps speed.



### AZEP0E1

Easy POE – Passive for injecting power over unused pairs of network cable. Working distance depends on power supply. Great for when converting fro existing analog cameras to IP / POE Cameras. Power adaptor not included. PAIR

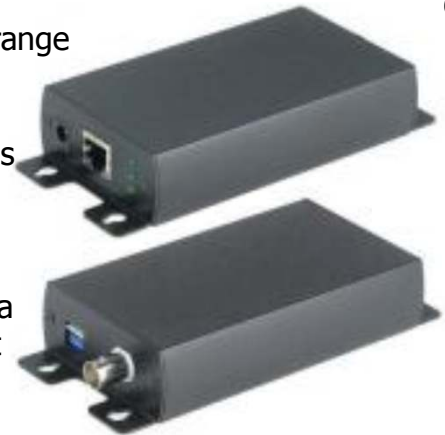


### AZIP02

IP extender is designed to extend any TCP/IP devices for long range transmission up to 6000ft over existing coaxial .

It is completely transparent to protocols, codes, and applications ensuring compatibility with any IP camera and its management software.

It is perfect solution for sending IP video links to remote camera installation that are beyond the 325ft distance limit of Ethernet



300M 50Mbps  
600M 45Mbps  
1000M 40Mbps  
1800M 20Mbps

### AZIP03

IP extender is designed to extend any TCP/IP devices for long range transmission up to 4000 ft over existing cost effective CAT5 cable.

It is completely transparent to protocols, codes, and applications ensuring compatibility with any IP camera and its management software.

It is perfect solution for sending IP video links to remote camera installation that are beyond the 325 ft distance limit of Ethernet.



300M 50Mbps  
600M 40Mbps  
1200M 20Mbps



# IP Cabling Solution



### AZPOE3500

Power over Ethernet (PoE+) and 100Mbps Full Duplex Ethernet Extender Kit



Single-Line Ethernet Extender Kit is the world's only available solution to deliver Voice, Data and PoE in a combined package that exceeds the IEEE distance limitations for all Ethernet equipment and 802.3at PoE Plus. The AZPOE3500 enables the simple installation of a PoE device up to 2,500ft (762m) From your LAN and Power Source. This is ideal for installing PoE IP Security cameras or PoE WiFi Access Points or for a standalone remote self powered LAN up to 3,500ft (1,067m).

These extenders drive the reach of Ethernet to more than (10.7) ten times the typical Ethernet distance. 2,500ft/762m distance if using the PoE power to drive up to a 30v PoE device or 3,500ft/1,067m distance if using the PoE power standalone for the remote device only and LAN2 output for data/voice.

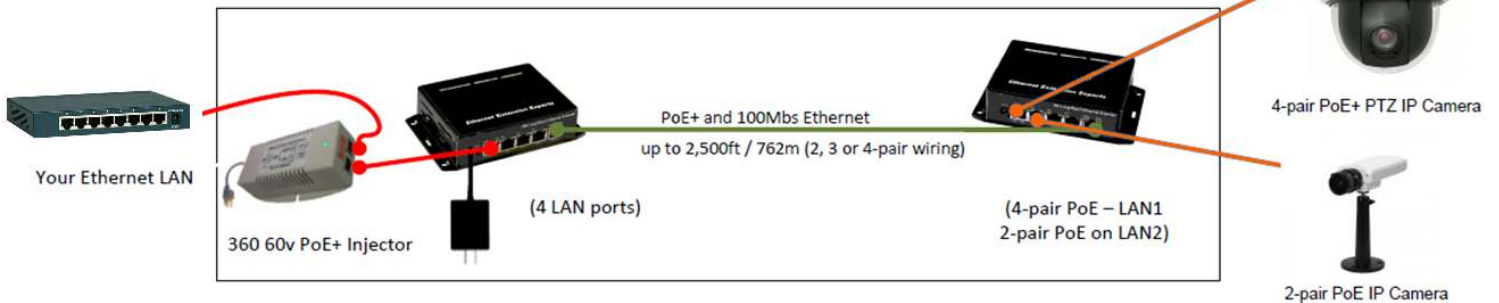
To increase the durability and extended use of the product providing maximum future technology protection, AZPOE3500 Extended PoE and Ethernet Units have been designed to meet the challenge of modern switched LANs and allows you to add features and capacity as your network expands. The units have been tested to provide full duplex transport up to 100MB/s over CAT2 cabling or better. These unit also support the use of standalone PoE injectors natively.

### AZPOE3500

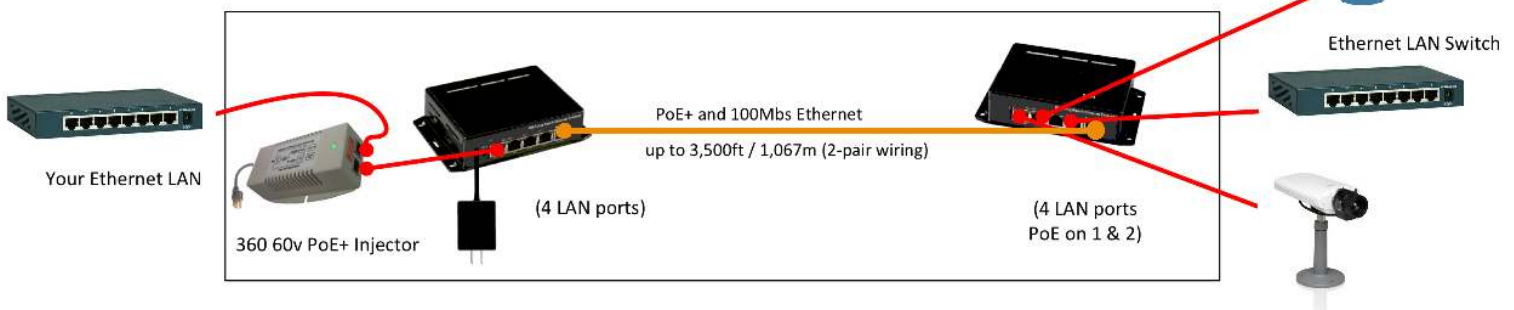
### Power over Ethernet (PoE+) and 100Mbps Full Duplex Ethernet Extender Kit



Option 1 – Normal Remote PoE+ use



Option 2 – Standalone use up to 3,500ft



Extended Ethernet with Power over Ethernet(PoE+) on 2, 3 or 4 pair existing Telephone wiring or category rated wiring.

IEEE 802.3at PoE+ is delivered on pins 4/5 - positive and 7/8 - negative - Custom Reverse polarity cable available on request

Rapid LAN style installation RJ45 jacks - no programming required.

High Power PTZ Camera support (4-pair PoE+) available on request only

Supports VoD (Video on Demand) and MPEG IP channels.

Supports VoIP (Voice over IP).

Network Equipment independence - Transparent to protocols, applications and MAC addresses.

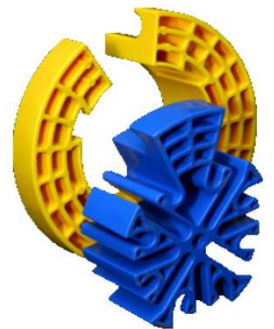
Sustained full-duplex service delivery end to end.

Native PoE support for any standalone PoE injector to 2,500ft and up to 3,500ft when used for self powered LAN mode only.

Sold as a Kit

# AZCO Technologies Inc.

June 2012  
DataCom Catalog



[www.azcotechnologies.com](http://www.azcotechnologies.com)

# AZCO Technologies Inc.

## PRODUCT DESCRIPTION

LaserLine was designed to fulfill the need for a more productive and improved method for the installation process of low-voltage conductors and communication cables. Equipped with a laser sighting device, LaserLine will accurately install a pull line up to 120 ft. through most web trusses, across suspended ceiling systems, over hard to move objects, under sub-flooring or in any limited access areas like those found in most offices and commercial building structures.

## OPERATION

Once the route has been established, just aim your LaserLine's laser sight at the proposed path for your install, pull the trigger. Now that you have your pull line in place, simply attach your cable or a pull line if needed, and pull your cables across. Once your cable is in place, supports can be placed (typically at 5-foot intervals) with the point-to-point routes determined and the cable supports in place. Productivity is improved and labor intensity is decreased.



*The Ultimate, Labor Saving, Installation Tool*

## MODEL NUMBER: **AZLZRLINE**

Kit comes with Azco LaserLine™ Gun, Darts (2), CO2 Cartridges (2), 1,200' Nylon Spools (2), Rugged Case, Manual  
Gun: high quality aircraft aluminum with an anodized finish with laser sight for accuracy  
Darts: constructed from durable lightweight nylon with soft foam tip  
Nylon Spools: pull line - 17lbs., 1200' per spool  
CO2 Cartridges: 8-10 shots each  
Carrying Case: includes foam insert to protect your device  
Ideal for attics, ceilings, mezzanines, etc.  
Replacement Darts, Nylon Spools and CO2 Cartridges sold separately  
1 Year Limited Warranty.



**AZDART** Laserline Dart Replacements

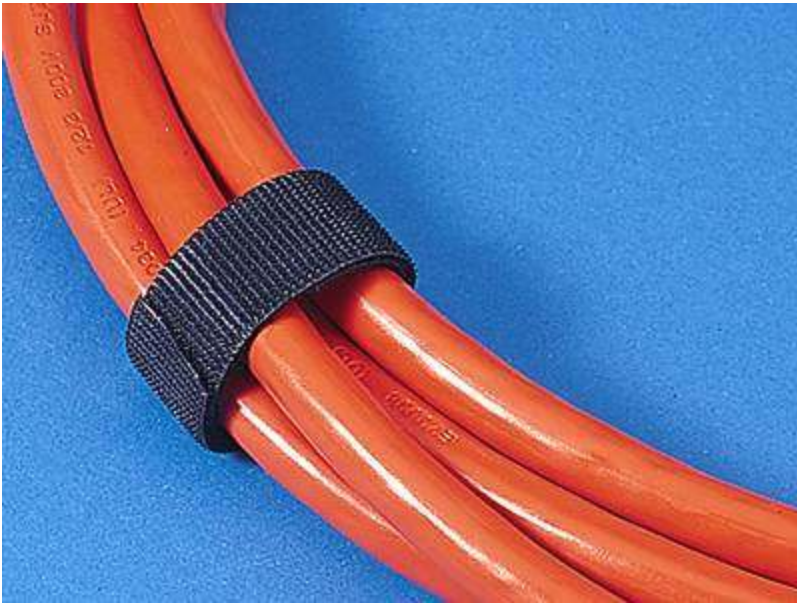


**AZCO2** Laserline CO2 Replacements



**AZSPOOL** Laserline Spool Replacements

[www.azcotechnologies.com](http://www.azcotechnologies.com)



The **AZWSL75-BK** Cable Wrap Lite 1/2" x 75' can be easily wrapped around cable and cut to desired length to bundle your cables.

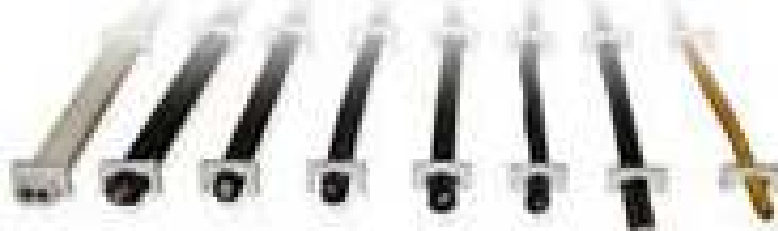


The **AZWSFR600-BK** Fire Retardant Cable Wrap 1/2" x 600' can be easily wrapped around cable and cut to desired length to bundle your cables. This product is for general use and can also be used in Plenum ceiling / air handling space applications. UL (Underwriters Laboratories) 94-V2 FAR 2.5 853 A/B NEC Section 300-22 (C) & (D)



The **AZWS600-BK** Cable Wrap 1/2" x 600' can be easily wrapped around cable and cut to desired length to bundle your cables. This product is for general use.

## An Essential Tool for All Low Voltage Cable Installers !



Press the staple feeder downward and remove from its channel.



Load a strip of staples into the channel.



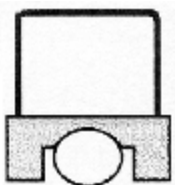
Slide in the staple feeder and push it upward to its locked position.

### AZS667

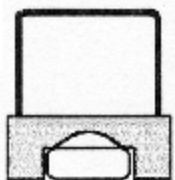
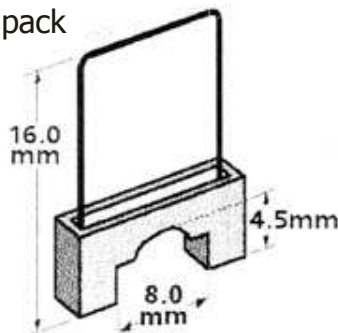
- Lightweight
- Ergonomic Grip
- Made for Low Voltage Cable installers
- Easy to use and load
- Can be used on Round or Flat Cables
- Interchangeable heads - allows you to change the staple-guide plates easily



### AZ1405 – 200 pcs per pack



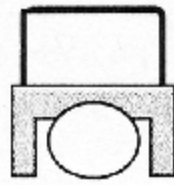
Round Cable  
Height :  
4mm~6mm



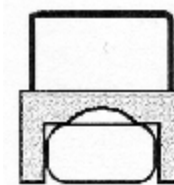
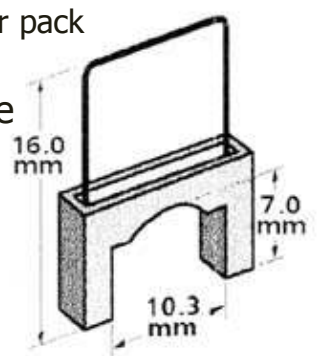
Flat Wire  
Height:  
2.5mm~4mm  
Width :  
Below 8mm



### AZ1407 – 200 pcs per pack



Round Cable  
Height :  
6mm~8mm



Flat Wire  
Height:  
4.5mm~6.3mm  
Width :  
Below 10.3mm



The **Lock-Jack** can give you the extra physical security that you need. Our customers use our jack locks in a variety of locations. For example blocking unused ports on a switch to prevent unauthorized access.

Companies also use our RJ45 Jack Lock to prevent damage of an upgrade port on a wide range of devices.

POS customers use this device to add security to their network and help prevent tampering with credit card machines.

Schools  
Retail POS (PCI COMPLIANT)  
Government  
Unused ports on a switch  
RJ45 Ports not used for ethernet (Flash Port)  
Conference Rooms

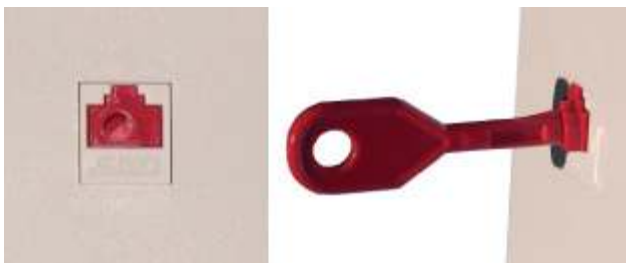
### 1. Install



### 2. Release



### 3. Remove



### Lock-Jack

**AZRJ45JLP-10** Lock Jack with Proprietary Key – 10 Pack



### Lock-Jack – Allan Key

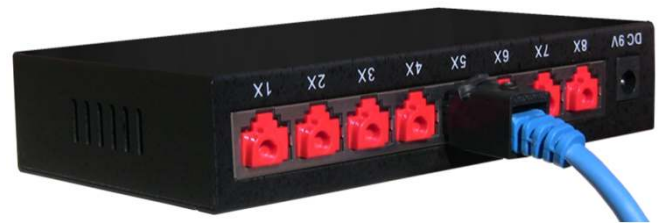
**AZRJ45JLA-10** Lock Jack with Allan Key – 10 Pack



The **Patch-Lock** can give you the extra physical security that you need. Our customers use our jack locks in a variety of locations. For example blocking unused ports on a switch to prevent unauthorized access.

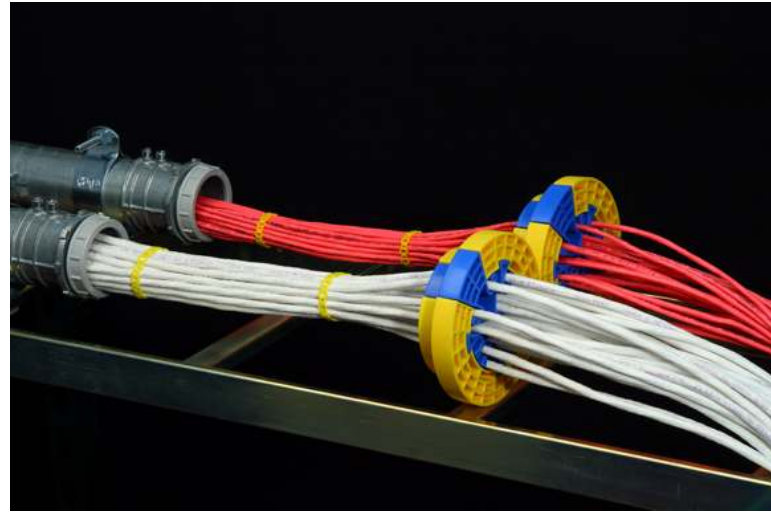
POS customers use this device to add security to their network and help prevent tampering with credit card machines.

- Schools
- Retail POS (PCI COMPLIANT)
- Government
- Unused ports on a switch
- Keeping DVR's connected to network
- Keeping IP Cameras connected
- Medical Equipment
- RJ45 Ports not used for ethernet (Flash Port)
- Conference Rooms



### Patch Lock

**AZRJ45PLB-10** Lock Patch with Allan Key – 10 Pack



### AZCOMB

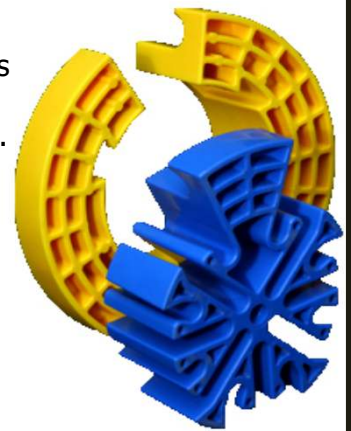
Individual cables are loaded into the open slots of Azco Comb blue inner hub at any point within the run without the need to find and thread cable ends through closed holes. The yellow outer collar is mated to the blue inner hub after the cables are loaded into the slots. This prevents cable dislodgement from the tool until the outer collar is removed. Removal of individual or groups of cables for termination, direction changes, or sub bundles is easily accomplished by sliding the yellow outer collar back a few inches from the blue inner hub and removing the selected cables through the large opening in the collar. The two piece tool can then be mated again to continue the combing process. Due to the unique design of the Azco Comb all cables are combed into an organized bundle, not just the outer cables.

The Azco Comb hub has been designed with 15 cable slots. Each slot will accommodate various types and quantities of category cable including most CAT 5, CAT 5E and CAT 6 cables. The Azco Comb can also be used to straighten, organize, bundle, and lash other types of cables such as plenum, co-axial, and control cable in sizes 1/4" or smaller. The cable slots are chamfered to help prevent snagging of looser fitting cable jackets.

With the convenient built in concave finger pull the Azco Comb can be installed in any position allowing for smooth and comfortable pulling without worrying about orientation of the tool or interference with protruding handles.

The Azco Comb slides easily on the cable as it is manufactured by injection molding with Zytel® nylon resin and has a naturally slick feel which provides for a low friction surface on the slots. The Zytel® nylon resists penetration of oils, greases, solvents, and alkalis and makes the Cable Comb durable and long lasting.

The Azco Comb will benefit both contractors and technicians by saving time whenever the labor intensive task of organizing individual cables into professional appearing bundles is required.





The **AZPULL** is a time and money saving tool for anyone who installs cable for voice, data, fiber optic networks, video, alarms, paging systems, access control, CATV, music, property or energy management systems.

Our AZPULL cabling tool allows you to pull cable around corners as easily as pulling through conduit. This re-usable tool has no moving parts to cut or pinch the cables. It mounts in *seconds* when pulling cables, and allows you to keep the cables at ceiling level during the pull. When dressing the cables back (securing them in place), the cables are removed from the tool through a slot conveniently located on the back side of the elbow, and the AZPULL can be removed as quickly as it was mounted.

The smooth inner surface that allows the cables to glide around corners, also preserves the integrity of the cable, by insuring that bends aren't sharper than the cables' "minimum bend radius" rating. By keeping the cables at ceiling level during the installation process, your customers are spared the hazard and inconvenience of having long lengths of cable laid out on the floor. The cable is thus protected from damage by keeping it up high and out of the way while being installed.

**Q: How many cables can be pulled through it?**

A: For cables the size of a CATEGORY 5e, up to around 25 at a time works fine, although it's equally effective with fewer cables, or even a single cable. For larger cables such as 25pr, 4 or 5 at a time works fine.

**Q: Can it be left in place permanently after use?**

A: Yes, and if it is used in a remote location in a building, it's fine to leave the cables inside. However, if it's located in a busy location where you or someone else is likely to pull more cables through it, you may want to consider removing your cables from the pull elbow and dressing them beside it. This keeps them clear of the next set of cables and reduces the chance of damage to your cables when more are pulled through.

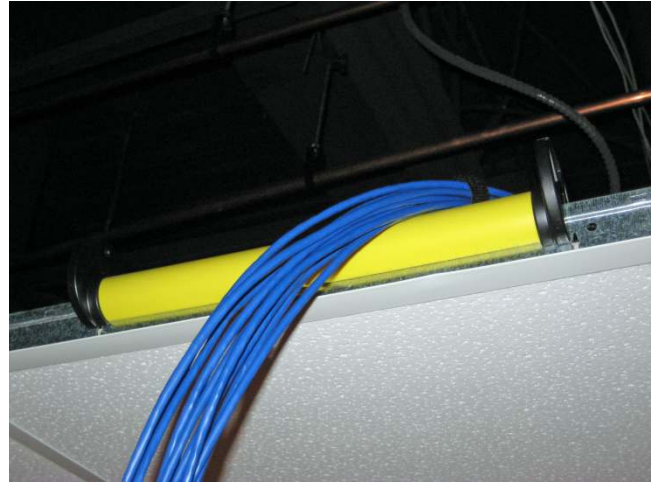
**Q: How many corners can be pulled around in the same run?**

A: In a typical run, 2 or 3 work fine. It helps if you have a helper pulling the cables off the reels or out of the boxes, so that drag is not added to the pull tension.

**TIP:** To make the cables glide through the Pull Elbow even easier, I take a short length of a candle (just a 1½" - 2" piece of a common household wax candle) and slide it back and forth along the inside of the Pull Elbow, to "wax" the surface that the cables slide over. Just press the wax against the inner surface of the tube. This takes about a minute to do, and lasts for at least a few months. Ask any skier if they would ski on un-waxed skis.

**Q: How is it mounted?**

A: You can screw it in place, use beam clamps, use cable ties, use vise grips or by using scrap wire.



The **AZTSLIDE** can be easily snapped on the ceiling tile to pull cables over the ceiling grid. Sold in PAIRS

Finally a low cost product that saves time & aggravation while **pulling cables over plenums**

Just snap a **TSlide** on a suspended ceiling tee at the beginning of a cable run and then place another at the end of the run.

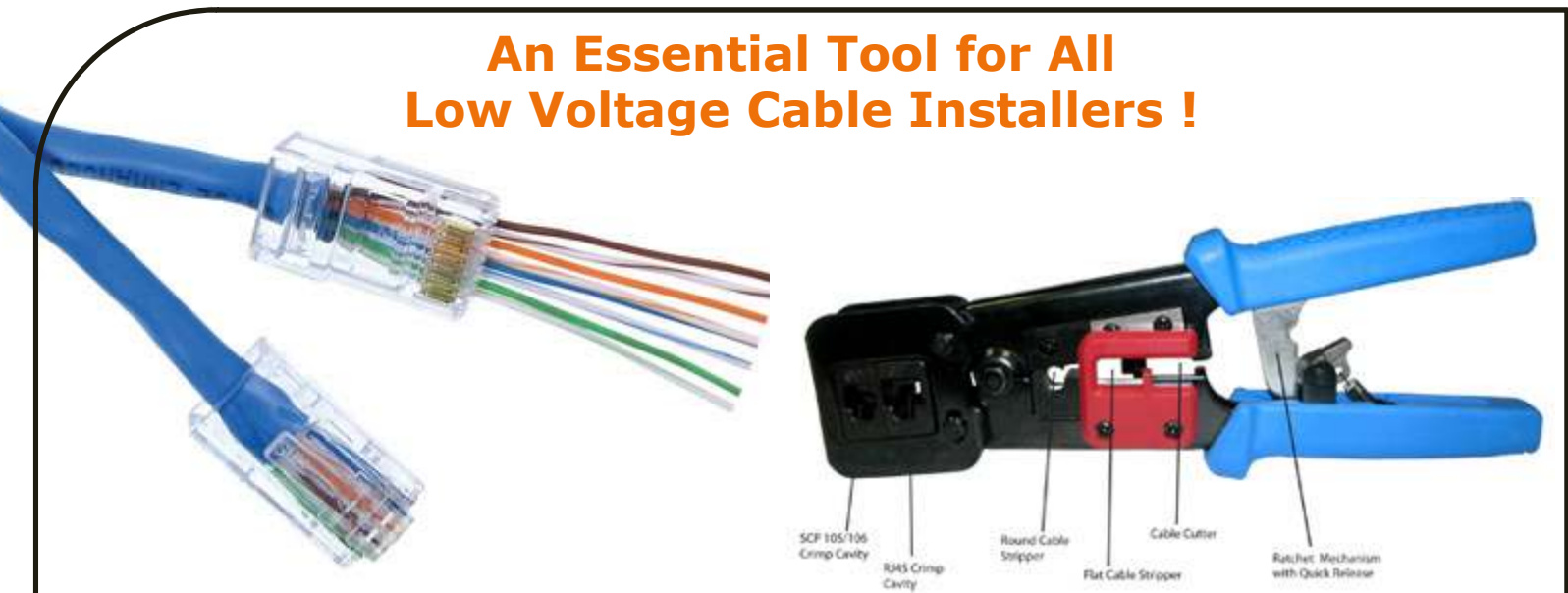
With two **TSlides** in place, pulling any type of cable is a cinch, even armored cable **with kinks!**

Use additional **TSlides** on long runs to make the job even **easier.**

The **TSlide** spells the end of damaged ceiling tees and best of all **one man can do the job instead of two!**

Easily snaps on and off ceiling tees, made of high visibility yellow so you won't forget to take to the **Tslide** to your next job!

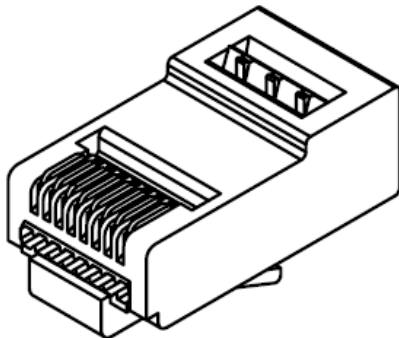
### An Essential Tool for All Low Voltage Cable Installers !



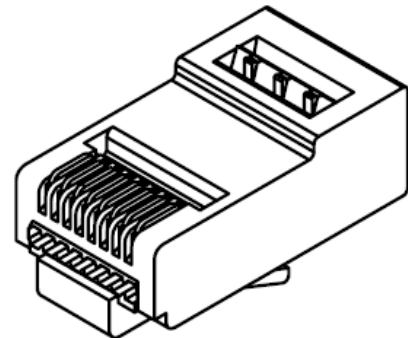
#### **AZEZ-TOOL-PRO**

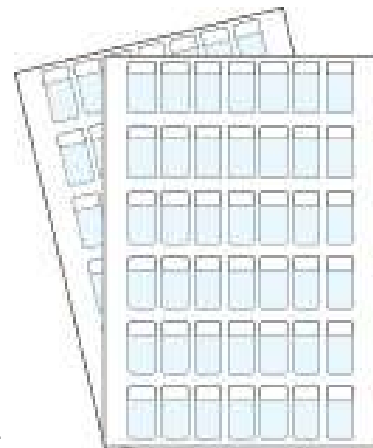
AZEZ Tool Pro Crimp Tool is designed for the professional installer providing a ratcheted, high leverage, ultra stable platform for consistent, repeatable terminations. This heavy duty tools is the perfect solution when working with high performance, larger OD cables that are tougher to terminate due to larger wire gauges, thicker, harder insulation on the conductors and pair separating splines. Crimps and trims wire on the EZ-RJ45® in one cycle, Works with most other RJ-11, RJ-12 and RJ-45 connectors, Built in wire cutter and stripper, Technical Data: Weight - 1 lb. Length - 8.25 in.

**AZEZRJ45** – 100 pcs per pack  
CAT 5E Crimp Plugs



**AZEZRJ45-CAT6** – 100 pcs per pack  
CAT 6 Crimp Plugs

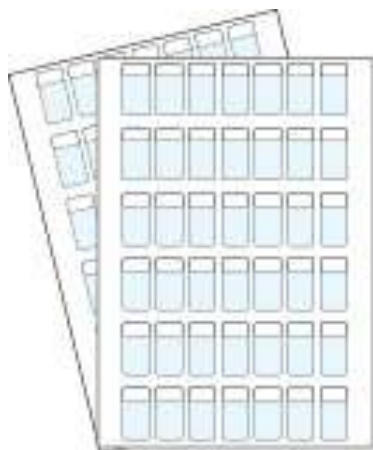




Azco laser printable self-laminating labels are ideal for multi-purpose labeling projects. They are manufactured using a clear, polyester film with a toner receptive print area and coated with a permanent UV resistant pressure sensitive adhesive. Our labels are backed with a two-side poly coated lay flat release liner. The label is approved for indoor/outdoor use with occasional exposure to lubricating oil and water.

- Two convenient pack sizes available 50 Sheets / 100 Sheets
- Various software templates available online or by email
- Color-coded and fully clear labels available by quote
- Polyester material service temp -40oF to 302oF (-40oC to 150oC)

Part Number	Width	Height	Print Height	Wire Dia. (Low)	Wire Dia. (High)	Wire Gauge	Labels per Sheet	Most Common
AZSL-70-603	0.50 in.	0.75 in.	0.37 in.	0.12 in.	0.12 in.	0.12 in. - 0.12 in.	156	
AZSL-71-602	0.50 in.	1.50 in.	0.50 in.	0.16 in.	0.32 in.	0.16 in. - 0.32 in.	78	X
AZSL-75-603	1.00 in.	0.75 in.	0.34 in.	0.11 in.	0.13 in.	0.11 in. - 0.13 in.	84	
AZSL-76-602	1.00 in.	1.00 in.	0.34 in.	0.11 in.	0.21 in.	0.11 in. - 0.21 in.	63	
AZSL-77-602	1.00 in.	1.33 in.	0.50 in.	0.16 in.	0.26 in.	0.16 in. - 0.26 in.	49	X
AZSL-78-602	1.00 in.	3.17 in.	0.97 in.	0.31 in.	0.70 in.	0.31 in. - 0.70 in.	21	
AZSL-79-602	1.50 in.	2.00 in.	0.75 in.	0.24 in.	0.40 in.	0.24 in. - 0.40 in.	16	





THE ONLY DATA HANGER  
SPECIFICALLY DESIGNED TO  
BE USED WITH CEILING WIRE



The **AZCD12-50** can be easily installed at the end of the ceiling wire by simply threading the wire through the eyelets and tying off the end.

Weight Capacity: 20 lbs.

Can hold up to a 4" bundle of communication cables (CAT5E, CAT6, Fiber Optic)

50 pcs per Package



The **AZCD12W-50** can be stacked along the ceiling wire with the use of a multi-function clip and the quick install push rivet.

Weight Capacity: 20 lbs.

Can hold up to a 4" bundle of communication cables (CAT5E, CAT6, Fiber Optic)

50 pcs per Package

Vapor Barriers  
for  
maintaining  
building  
envelopes and  
protecting  
keypads,  
speakers etc.



These flexible,  
durable,  
polypropylene  
vapor barriers meet  
all building code  
specifications and  
requirements.

When used  
on interior walls,  
these barriers work  
great for keeping  
dust and debris  
away from speakers  
and keypads.



**AZIC2416**  
In-Ceiling Speaker  
Vapor Barrier Back  
Bag  
(14.5"w X 12"h X 7"d)



**AZIW1624**  
In-Wall  
Speaker / Cabling  
Enclosure  
Vapor Barrier Back  
Bag  
(14.5"w X 22.5"h X 3.5"d)



**AZIW1610**  
In-Wall  
TouchScreen /  
Keypad/Balun/Outlet  
Vapor Barrier Back  
Bag  
(14.5"w X 10"h X 3.5"d)



**AZKP55**  
In-Wall  
Keypad/Balun/Outlet  
Vapor Barrier Back  
Bag  
(5.5"w X 5.5"h X 3.5"d)



# AZCO Technologies Inc.

1-877-420-AZCO



[www.azcotech.com](http://www.azcotech.com)